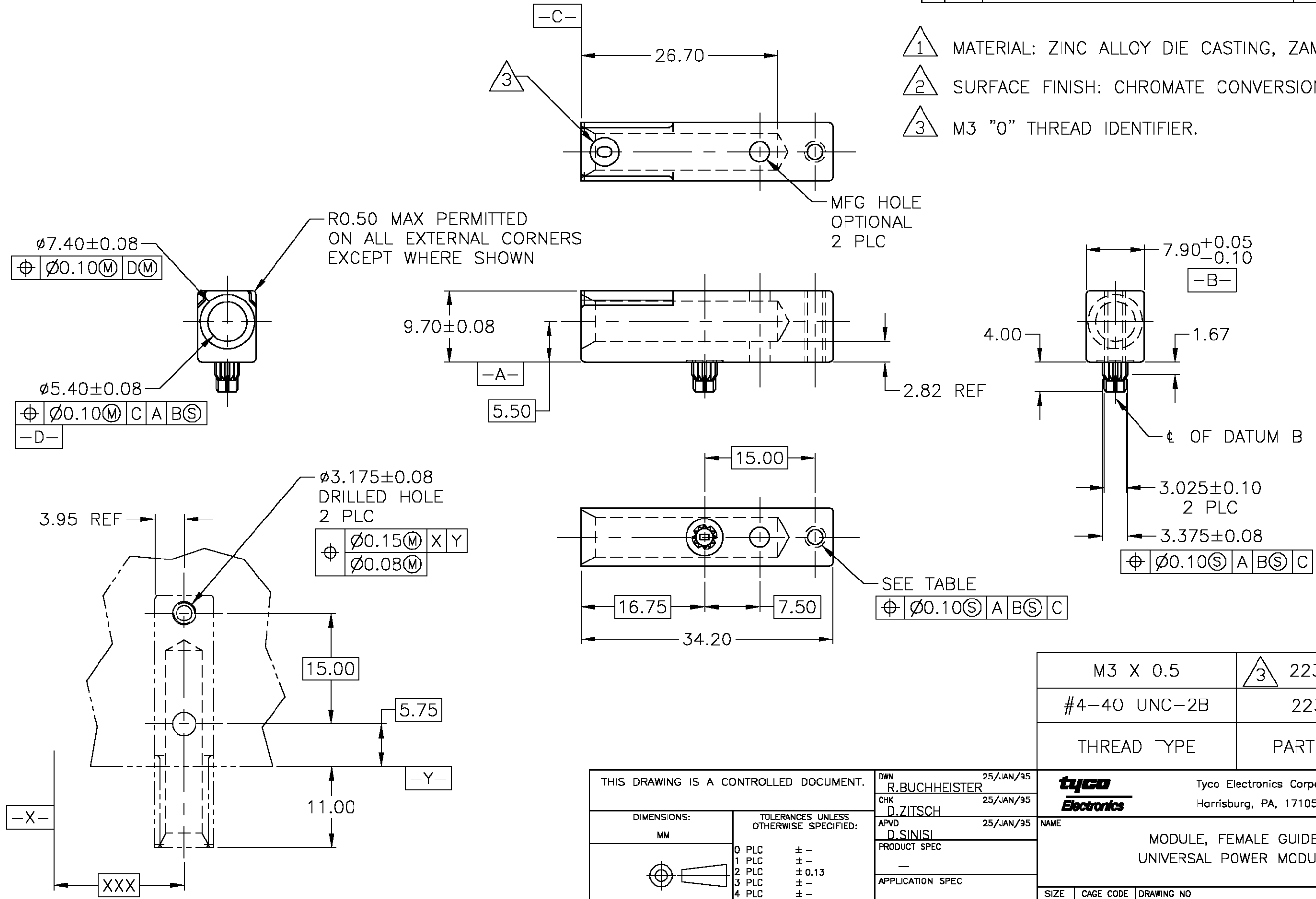


THIS DRAWING IS UNPUBLISHED. RELEASED FOR PUBLICATION
 © COPYRIGHT BY TYCO ELECTRONICS CORPORATION. ALL RIGHTS RESERVED.

| LOC | DIST | REVISIONS | | | | | |
|-----|------|-----------|-----|-------------------------|---------|-----|------|
| AD | 00 | P | LTR | DESCRIPTION | DATE | DWN | APVD |
| | | F | | REV PER EC 0S12-0186-03 | 06MAY03 | BC | RP |

- 1 MATERIAL: ZINC ALLOY DIE CASTING, ZAMAK 3.
- 2 SURFACE FINISH: CHROMATE CONVERSION COATING.
- 3 M3 "0" THREAD IDENTIFIER.



| | | | | | |
|--|--|--------------|---------------|-----------|--|
| THIS DRAWING IS A CONTROLLED DOCUMENT. | | DWN | R.BUCHHEISTER | 25/JAN/95 | Tyco Electronics Corporation Harrisburg, PA, 17105-3608 |
| DIMENSIONS: MM | | CHK | D.ZITSCH | 25/JAN/95 | |
| TOLERANCES UNLESS OTHERWISE SPECIFIED: | | APVD | D.SINISI | 25/JAN/95 | |
| 0 PLC ± - 1 PLC ± - 2 PLC ± 0.13 3 PLC ± - 4 PLC ± - ANGLES ± - | | PRODUCT SPEC | NAME | | |
| MATERIAL 1 | | FINISH | 2 | | MODULE, FEMALE GUIDE, UNIVERSAL POWER MODULE |
| APPLICATION SPEC WEIGHT - | | SIZE | A3 | CAGE CODE | 00779 |
| CUSTOMER DRAWING | | DRAWING NO | C=223957 | | RESTRICTED TO |
| SCALE | | 2:1 | | SHEET | 1 OF 1 |
| REV | | F | | | |